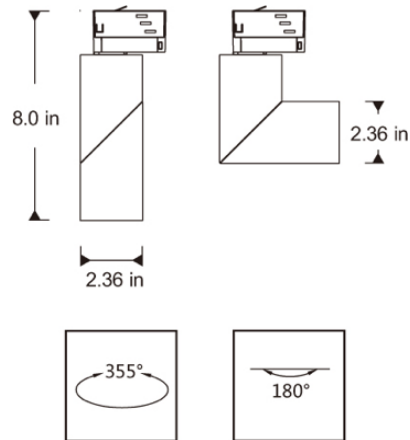




DIMENSIONS:



TR1-S-10W-WH-30K
TR1-S-10W-WH-40K
TR1-S-10W-WH-50K

LED TRACK LIGHTS (SQUARE)

Designer track light is compatible with Halo® tracks and accessories.

MODEL	WATTS	VOLTS	LUMENS	COLOR TEMP
TR1-S-10W-WH-30K	10W	100~240VAC	680LM	3000K
TR1-S-10W-WH-40K	10W	100~240VAC	700LM5	4000K
TR1-S-10W-WH-50K	10W	100~240VAC	720LM	5000K

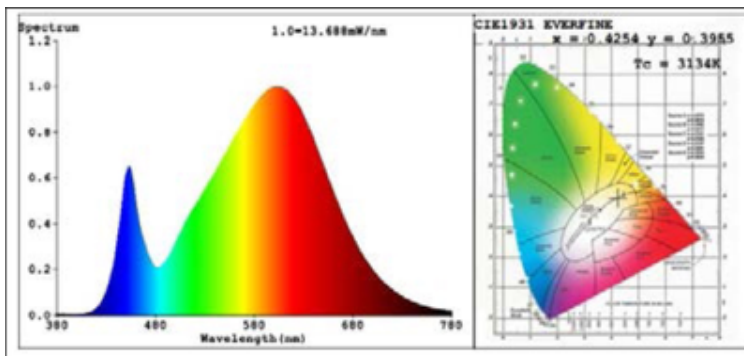
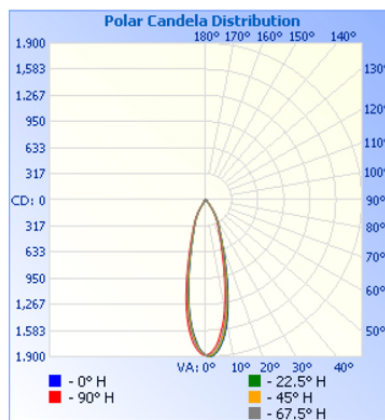
ELECTRICAL SPECIFICATIONS:

- Voltage: 100~240VAC 50/60Hz
- Wattage: 10W
- Lumen Output: 680LM
- Color Temperature: 3000K, 4000K and 5000K
- CRI: Ra80-97
- LED Chip: COB
- Beam Angle: 15° / 24° / 36°
- Operating Temp: 14°F ~ 122°F
- Life span: 35000~5000 hours
- Minimum distance from illuminated object: 1 foot
- Fit Halo® and compatible tracks and accessories



Replacement reflector for different beam angles

Photometrics:



WARRANTY: 5 years

CERTIFICATIONS:

